

Cone fender

Cone fenders are the latest generation of fenders, with optimal performance and efficiency.

The conical body shape makes the fender very stable even at large compression angles, and provides excellent shear strength.

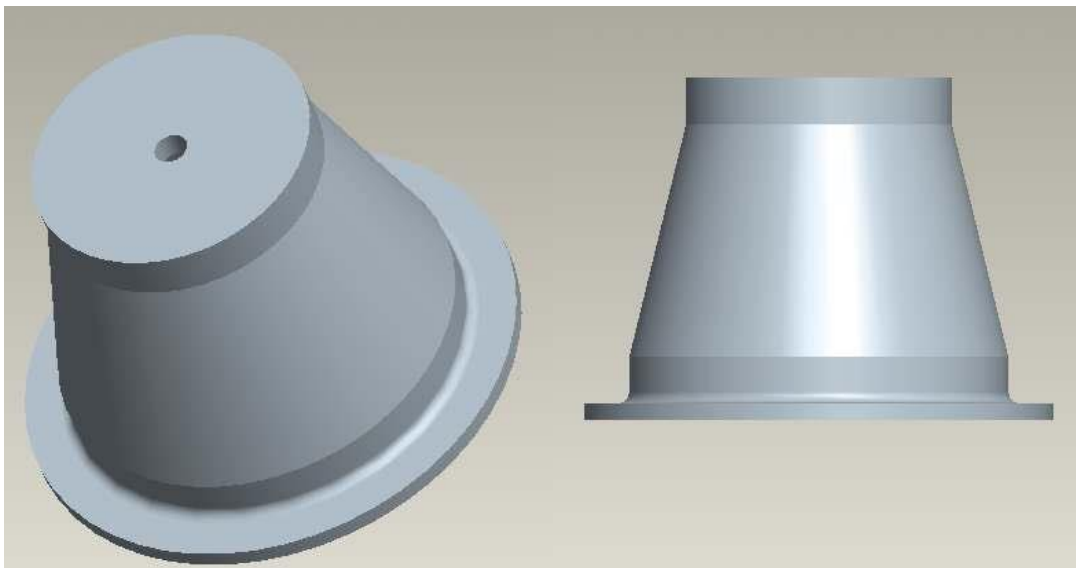
Features

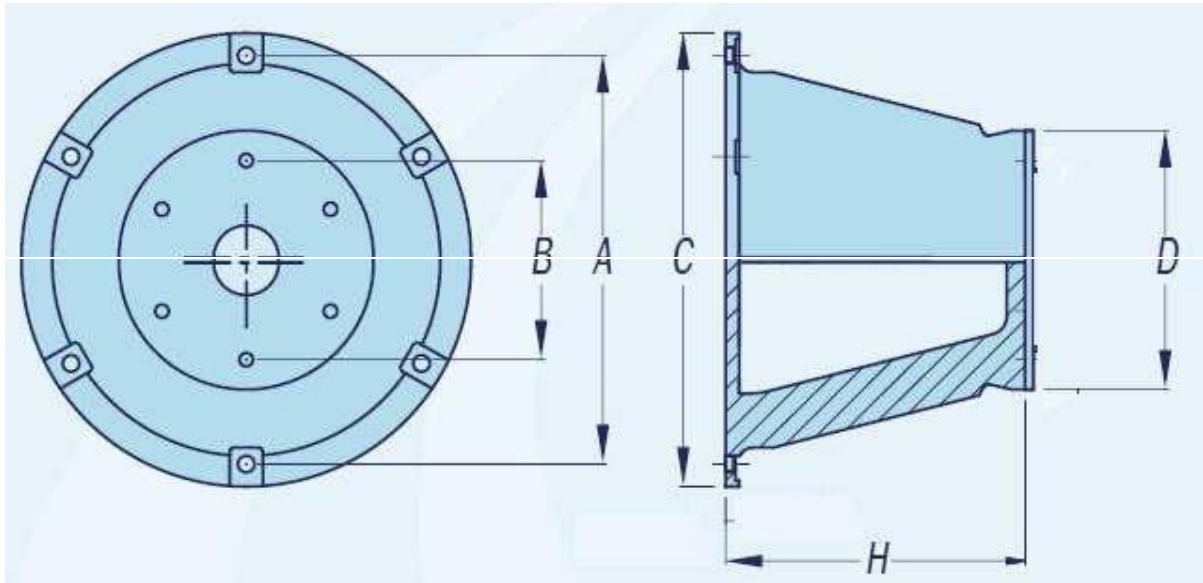
- Highly efficient geometry
- Minimal performance loss even at large berthing angles
- Stable shape resists shear
- Wide choice of rubber grades

Applications

- General cargo berths
- Bulk terminals
- Oil and LNG facilities
- Container berths
- RoRo and cruise terminals

Specification





Unit:mm

specification	n x MD	H	A	B	C	D	n x DI
DHR 600H	6xM24	600	900	420	810	525	6x 30
DHR 700H	6xM30	700	1050	490	1020	615	6x 38
DHR 800H	6xM36	800	1120	560	1165	700	6x 44
DHR 900H	6xM36	900	1350	585	1215	765	6x 44
DHR 1000H	6xM42	1000	1500	650	1350	850	6x 50
DHR 1150H	6xM42	1150	1725	750	1550	998	6x 50
DHR 1200H	8xM42	1200	1800	780	1620	1020	8x 50
DHR 1300H	8xM48	1300	1950	845	1755	1105	8x 56
DHR 1400H	8xM48	1400	2100	930	1890	1190	8x 60
DHR 1600H	8xM48	1600	2400	1060	2160	1360	8x 60
DHR 1800H	10xM56	1800	2880	1260	2620	1575	10x 74
DHR 2000H	10xM56	2000	3200	1400	2920	1700	10x 74